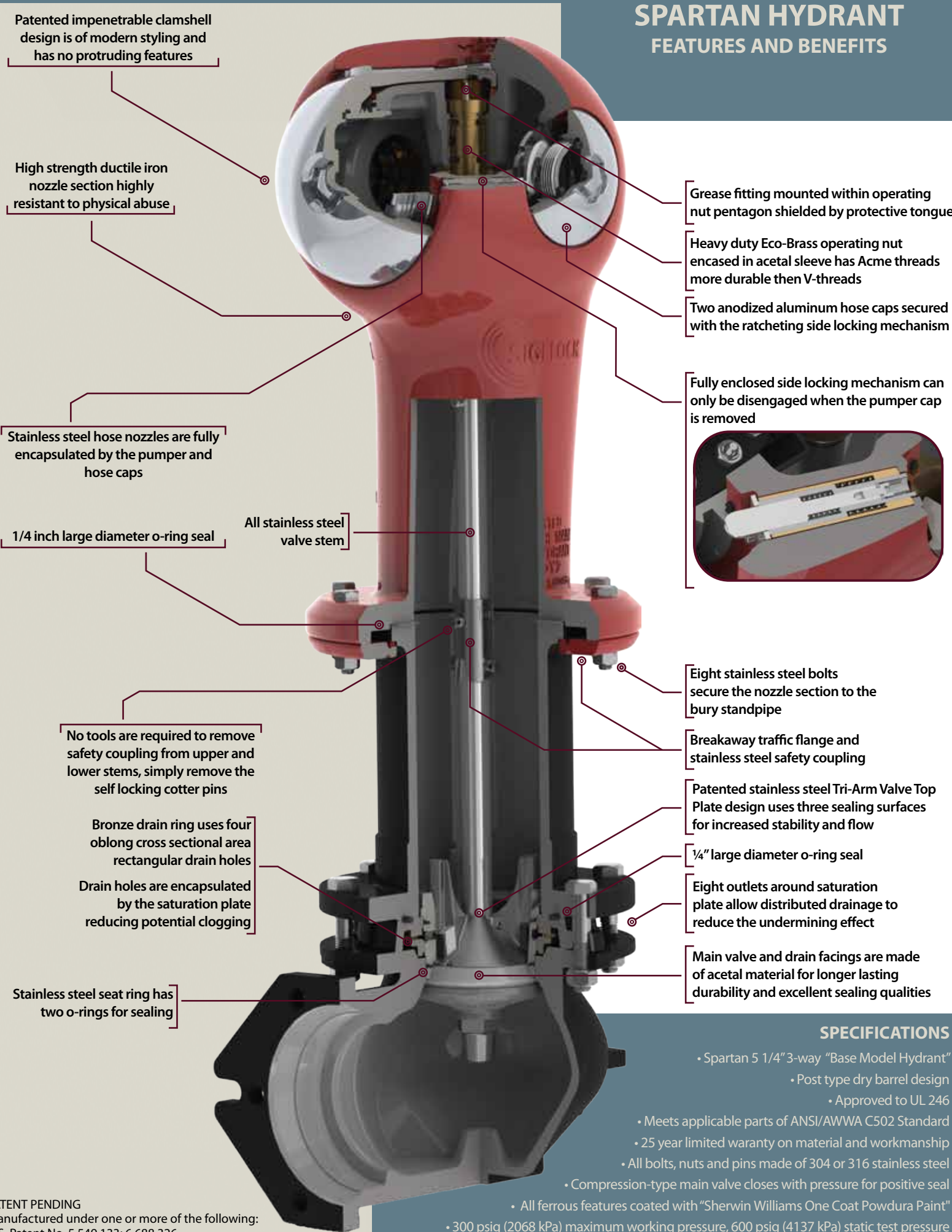


SPARTAN HYDRANT

FEATURES AND BENEFITS



Patented impenetrable clamshell design is of modern styling and has no protruding features

High strength ductile iron nozzle section highly resistant to physical abuse

Stainless steel hose nozzles are fully encapsulated by the pumper and hose caps

1/4 inch large diameter o-ring seal

No tools are required to remove safety coupling from upper and lower stems, simply remove the self locking cotter pins

Bronze drain ring uses four oblong cross sectional drain holes
 Drain holes are encapsulated by the saturation plate reducing potential clogging

Stainless steel seat ring has two o-rings for sealing

All stainless steel valve stem

Grease fitting mounted within operating nut pentagon shielded by protective tongue

Heavy duty Eco-Brass operating nut encased in acetal sleeve has Acme threads more durable than V-threads

Two anodized aluminum hose caps secured with the ratcheting side locking mechanism

Fully enclosed side locking mechanism can only be disengaged when the pumper cap is removed



Eight stainless steel bolts secure the nozzle section to the bury standpipe

Breakaway traffic flange and stainless steel safety coupling

Patented stainless steel Tri-Arm Valve Top Plate design uses three sealing surfaces for increased stability and flow

1/4" large diameter o-ring seal

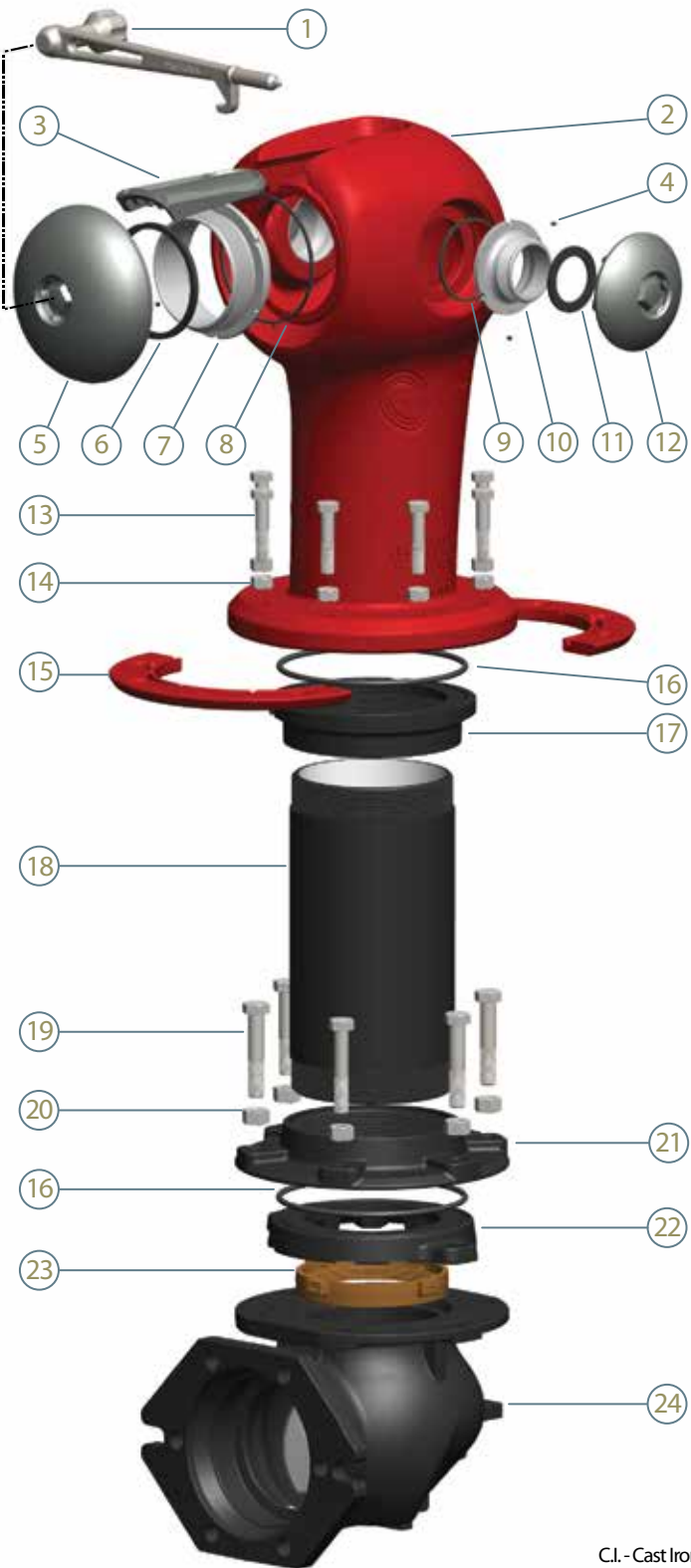
Eight outlets around saturation plate allow distributed drainage to reduce the undermining effect

Main valve and drain facings are made of acetal material for longer lasting durability and excellent sealing qualities

SPECIFICATIONS

- Spartan 5 1/4" 3-way "Base Model Hydrant"
 - Post type dry barrel design
 - Approved to UL 246
- Meets applicable parts of ANSI/AWWA C502 Standard
- 25 year limited warranty on material and workmanship
- All bolts, nuts and pins made of 304 or 316 stainless steel
- Compression-type main valve closes with pressure for positive seal
- All ferrous features coated with "Sherwin Williams One Coat Powdura Paint"
- 300 psig (2068 kPa) maximum working pressure, 600 psig (4137 kPa) static test pressure

PATENT PENDING
 Manufactured under one or more of the following:
 U.S. Patent No. 5,549,133; 6,688,326.



| Item No. | QTY | Part Name / Description | Material |
|----------|-----|------------------------------|--------------|
| 1 | 1 | All-In-One Wrench | Stn. Stl. |
| 2 | 1 | Nozzle Housing | D.I. |
| 3 | 1 | Tamper Resistant Tongue | Al Alloy |
| 4 | 9 | Nozzle Set Screw | Stn. Stl. |
| 5 | 1 | Pumper Nozzle Screw Cap | Al Alloy |
| 6 | 1 | Pumper Screw Cap O-ring | EPDM |
| 7 | 1 | Pumper Nozzle | Stn. Stl. |
| 8 | 1 | Pumper Nozzle O-Ring | EPDM |
| 9 | 2 | Hose Nozzle O-Ring | EPDM |
| 10 | 2 | Hose Nozzle | Stn. Stl. |
| 11 | 2 | Hose Nozzle Cap O-ring | EPDM |
| 12 | 2 | Aluminum Hose Nozzle Cap | Al Alloy |
| 13 | 8 | Safety Flange Bolt | Stn. Stl. |
| 14 | 8 | Safety Flange Nut | Stn. Stl. |
| 15 | 2 | Safety Flange | C.I. |
| 16 | 2 | Standpipe O-Ring | EPDM |
| 17 | 1 | Standpipe Upper Flange | D.I. |
| 18 | 1 | Standpipe | D.I. |
| 19 | 6 | Inlet Flange Bolt | Da. Co. Stl. |
| 20 | 6 | Inlet Flange Nut | Da. Co. Stl. |
| 21 | 1 | Standpipe Lower Flange | D.I. |
| 22 | 1 | Saturation Ring | C.I. |
| 23 | 1 | Drain Ring | Eco Brass |
| 24 | 1 | Inlet Elbow | D.I. |
| 25 | 1 | Grease Fitting | Stn. Stl. |
| 26 | 1 | Grease Fitting O-Ring | EPDM |
| 27 | 1 | Operating Nut | Eco Brass |
| 28 | 2 | Operating Nut O-ring | Buna-N |
| 29 | 1 | Operating Nut Sleeve | POM |
| 30 | 2 | Low-Friction Thrust Washer 1 | Stn. Stl. |
| 31 | 1 | Low-Friction Thrust Washer 2 | POM |
| 32 | 1 | Operating Nut Bearing Washer | POM |
| 33 | 1 | Operating Nut Retain-Ring | Zn.Di.Stl. |
| 34 | 1 | Upper Operating Stem | Stn. Stl. |
| 35 | 2 | Self Locking Cotter Pin | Stn. Stl. |
| 36 | 1 | Safety Coupling | Stn. Stl. |
| 37 | 2 | Grooved Pin | Stn. Stl. |
| 38 | 1 | Lower Operating Stem | Stn. Stl. |
| 39 | 1 | Valve Seat Ring | Stn. Stl. |
| 40 | 2 | Valve Seat Ring O-ring | EPDM |
| 41 | 3 | Drain Valve Facing | POM |
| 42 | 3 | Drain Valve Screw | Stn. Stl. |
| 43 | 1 | Tri-Arm Valve Top Plate | Stn. Stl. |
| 44 | 1 | Main Seat Valve O-ring | EPDM |
| 45 | 1 | Main Seat Valve | POM |
| 46 | 1 | Lower Valve Plate | Stn. Stl. |
| 47 | 1 | Bottom Plate Nut O-Ring | EPDM |
| 48 | 1 | Bottom Plate Nut | Stn. Stl. |

C.I. - Cast Iron
 D.I. - Ductile Iron
 Stn. Stl. - Stainless Steel
 Zn. Pl. Stl. - Zinc Plated Steel
 Bl. Ox. Stl. - Black Oxide Steel
 Zn.Di.Stl. - Zinc Dichromate Steel
 Da. Co. Stl. - Dacromet Coated Steel

