

# SPARTAN HYDRANT

## FEATURES AND BENEFITS

Patented impenetrable clamshell design is of modern styling and has no protruding features

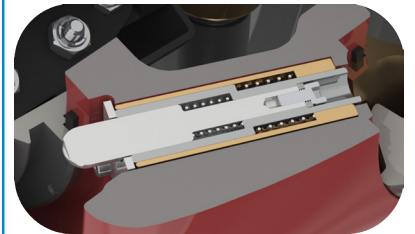
High strength ductile iron nozzle section highly resistant to physical abuse

Grease fitting mounted within operating nut pentagon shielded by protective tongue

Heavy duty Eco-Brass operating nut encased in acetal sleeve has Acme threads more durable than V-threads

Two anodized aluminum hose caps secured with the ratcheting side locking mechanism

Fully enclosed side locking mechanism can only be disengaged when the pumper cap is removed



Stainless steel pumper and hose nozzles are fully encapsulated by the pumper and hose caps

1/4 inch large diameter o-ring seal

All stainless steel valve stem

Eight stainless steel bolts secure the nozzle section to the bury standpipe

Breakaway traffic flange and stainless steel safety coupling

No tools are required to remove safety coupling from upper and lower stems, simply remove the self locking cotter pins

Patented stainless steel Tri-Arm Valve Top Plate design uses three sealing surfaces for increased stability and flow

Bronze drain ring uses four oblong cross sectional area rectangular drain holes

Drain holes are encapsulated by the saturation plate reducing potential clogging

1/4" large diameter o-ring seal

Eight outlets around saturation plate allow distributed drainage to reduce the undermining effect

Stainless steel seat ring has two o-rings for sealing

Main valve and drain facings are made of acetal material for longer lasting durability and excellent sealing qualities

### SPECIFICATIONS

Spartan 5 1/4" 3-way "Base Model Hydrant"

Post type dry barrel design

Approved to UL 246

Meets applicable parts of ANSI/AWWA C502 Standard

25 year limited warranty on material and workmanship

All bolts, nuts, and pins made of 304 or 316 stainless steel

Compression-type main valve closes with pressure for positive seal

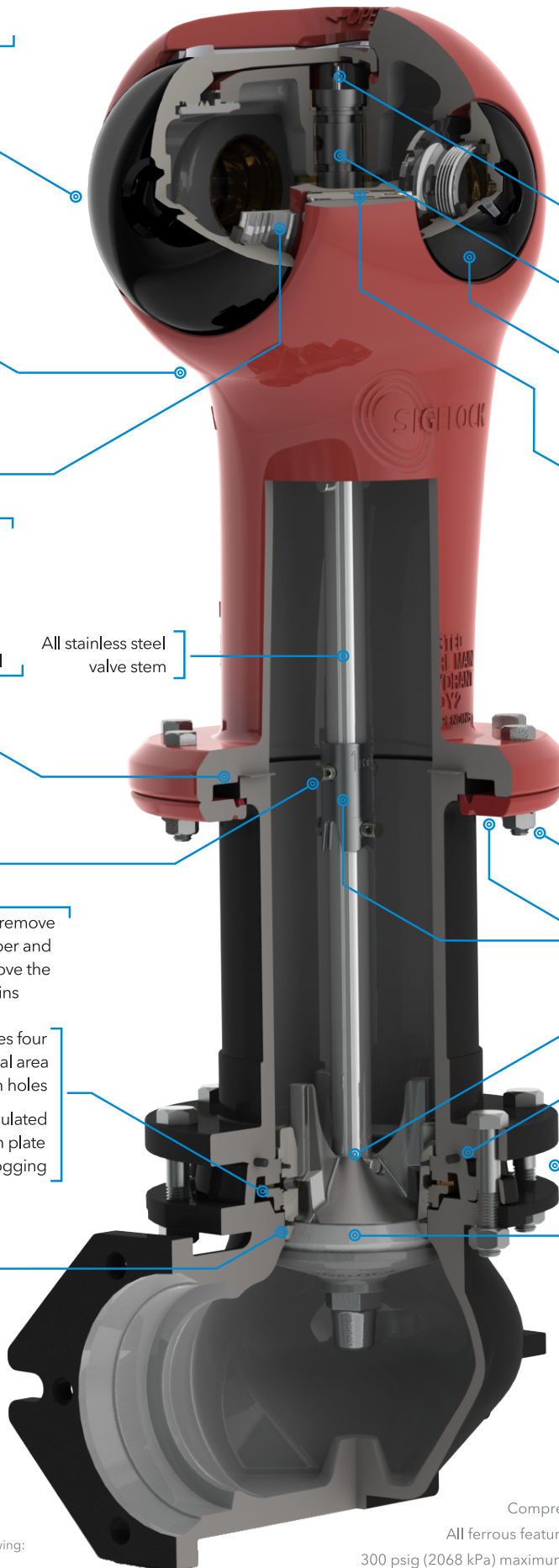
All ferrous features coated with "Sherwin Williams One Coat Powdura Paint"

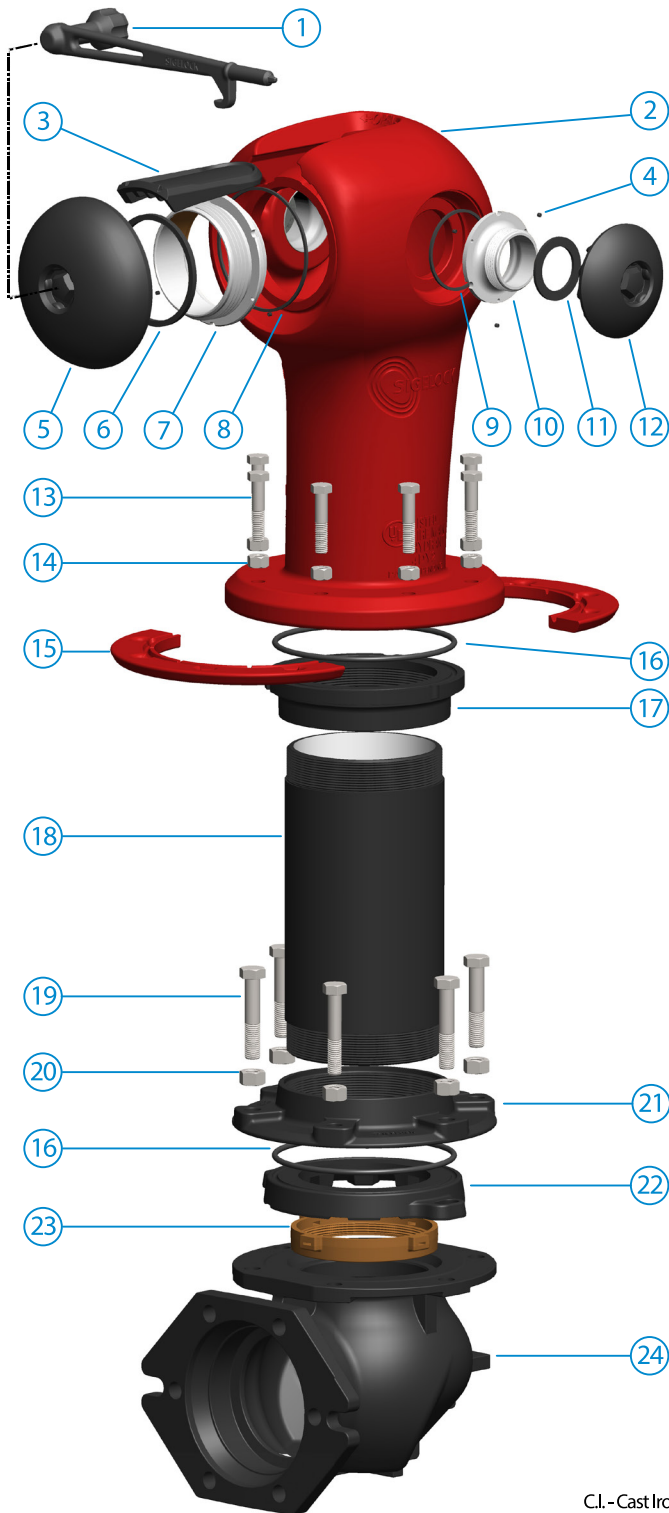
300 psig (2068 kPa) maximum working pressure, 600 psig (4137 kPa) static test pressure



### PATENTED

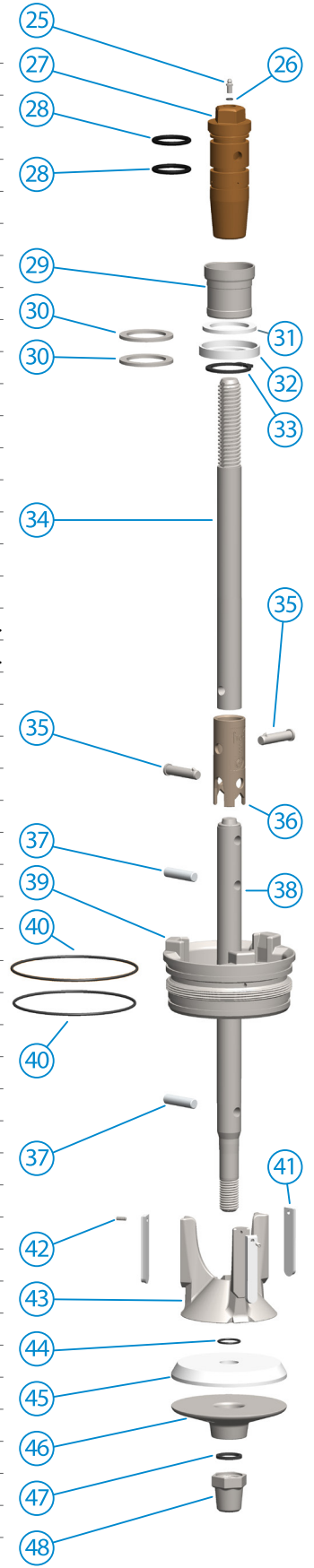
Manufactured under one or more of the following:  
U.S. Patent No. 5,549,133; 6,688,326





Item No.	QTY	Part Name / Description	Material
1	1	All-In-One Wrench	Stn. Stl.
2	1	Nozzle Housing	D.I.
3	1	Tamper Resistant Tongue	Al Alloy
4	9	Nozzle Set Screw	Stn. Stl.
5	1	Pumper Nozzle Screw Cap	Al Alloy
6	1	Pumper Screw Cap O-ring	EPDM
7	1	Pumper Nozzle	Stn. Stl.
8	1	Pumper Nozzle O-Ring	EPDM
9	2	Hose Nozzle O-Ring	EPDM
10	2	Hose Nozzle	Stn. Stl.
11	2	Hose Nozzle Cap O-ring	EPDM
12	2	Aluminum Hose Nozzle Cap	Al Alloy
13	8	Safety Flange Bolt	Stn. Stl.
14	8	Safety Flange Nut	Stn. Stl.
15	2	Safety Flange	C.I.
16	2	Standpipe O-Ring	EPDM
17	1	Standpipe Upper Flange	D.I.
18	1	Standpipe	D.I.
19	6	Inlet Flange Bolt	Da. Co. Stl.
20	6	Inlet Flange Nut	Da. Co. Stl.
21	1	Standpipe Lower Flange	D.I.
22	1	Saturation Ring	C.I.
23	1	Drain Ring	Eco Brass
24	1	Inlet Elbow	D.I.
25	1	Grease Fitting	Stn. Stl.
26	1	Grease Fitting O-Ring	EPDM
27	1	Operating Nut	Eco Brass
28	2	Operating Nut O-ring	Buna-N
29	1	Operating Nut Sleeve	POM
30	2	Low-Friction Thrust Washer 1	Stn. Stl.
31	1	Low-Friction Thrust Washer 2	POM
32	1	Operating Nut Bearing Washer	POM
33	1	Operating Nut Retain-Ring	Zn.Di.Stl.
34	1	Upper Operating Stem	Stn. Stl.
35	2	Self Locking Cotter Pin	Stn. Stl.
36	1	Safety Coupling	Stn. Stl.
37	2	Grooved Pin	Stn. Stl.
38	1	Lower Operating Stem	Stn. Stl.
39	1	Valve Seat Ring	Stn. Stl.
40	2	Valve Seat Ring O-ring	EPDM
41	3	Drain Valve Facing	POM
42	3	Drain Valve Screw	Stn. Stl.
43	1	Tri-Arm Valve Top Plate	Stn. Stl.
44	1	Main Seat Valve O-ring	EPDM
45	1	Main Seat Valve	POM
46	1	Lower Valve Plate	Stn. Stl.
47	1	Bottom Plate Nut O-Ring	EPDM
48	1	Bottom Plate Nut	Stn. Stl.

C.I. - Cast Iron  
 D.I. - Ductile Iron  
 Stn. Stl. - Stainless Steel  
 Zn. Pl. Stl. - Zinc Plated Steel  
 Bl. Ox. Stl. - Black Oxide Steel  
 Zn.Di.Stl. - Zinc Dichromate Steel  
 Da. Co. Stl. - Dacromet Coated Steel



MANUFACTURED IN FRANKLIN, PA  
**HUB ZONE CERTIFIED**

All products must be installed and maintained in accordance  
 with applicable instructions and/or standards.